

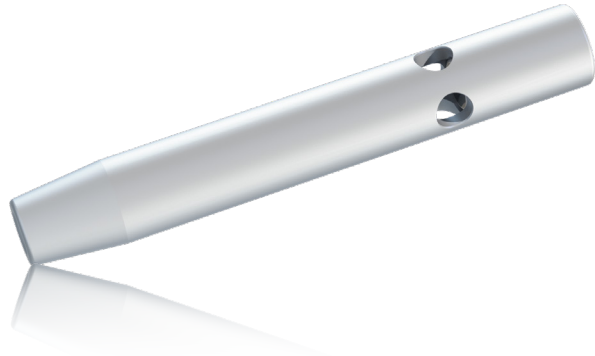


Miniature version
of the Type 10

Sensor Head Type:
Acoustic

PRODUCT DATA SHEET

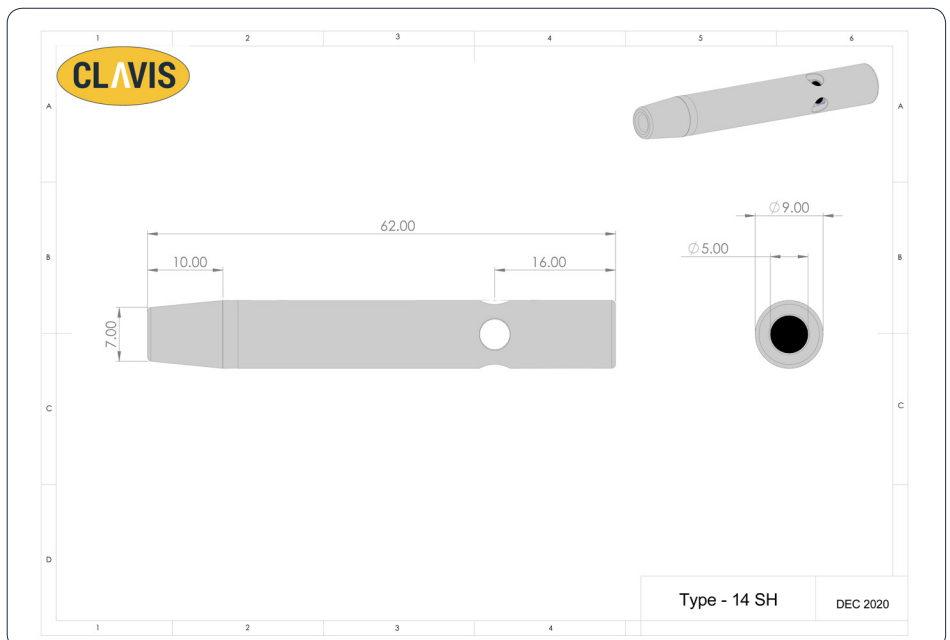
Type 14 Sensor Head



TECHNICAL SPECIFICATION

| Environment Conditions | |
|--------------------------------|---------------------------------------|
| Operating Temperature | +10°C to +50°C +50°F to +122°F |
| Shipping & Storage Temperature | +5°C to +70°C +23°F to +158°F |
| Protection Class | IP54 |
| Sensor (Acoustic) | |
| Housing | Machined Aluminium (Anodised Natural) |
| Cable length | 1m |

DIMENSIONS



IDS

**IDS INTEGRATED
DISPLAY SYSTEMS LTD**

Unit 4A New York Way
New York Industrial Park
Newcastle upon Tyne
NE27 0QF, UK

admin@clavis.co.uk
t: + 44 (0) 191 262 7869

www.clavis.co.uk