



For belts up to  
10mm wide

Sensor Head Type:  
Acoustic

## PRODUCT DATA SHEET

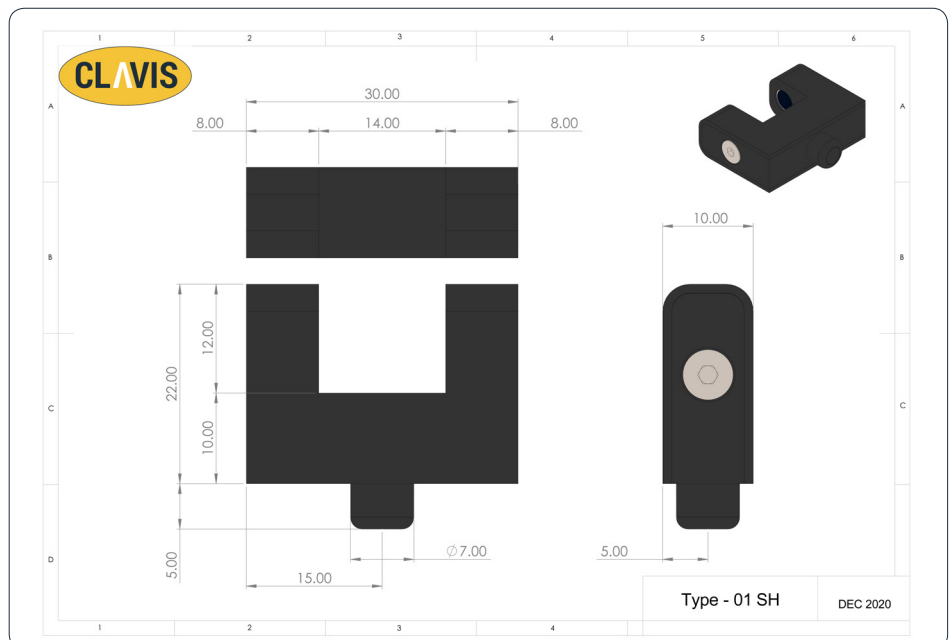
# Type 1 Sensor Head



### TECHNICAL SPECIFICATION

Environment Conditions	
Operating Temperature	+10°C to +50°C +50°F to +122°F
Shipping & Storage Temperature	+5°C to +70°C +23°F to +158°F
Protection Class	IP54
Sensor (Acoustic)	
Belt Size (Max Width)	10mm
Housing	Cast aluminium
Cable length	1m

### DIMENSIONS



**IDS**

**IDS INTEGRATED  
DISPLAY SYSTEMS LTD**

Unit 4A New York Way  
New York Industrial Park  
Newcastle upon Tyne  
NE27 0QF, UK

admin@clavis.co.uk  
t: + 44 (0) 191 262 7869

[www.clavis.co.uk](http://www.clavis.co.uk)